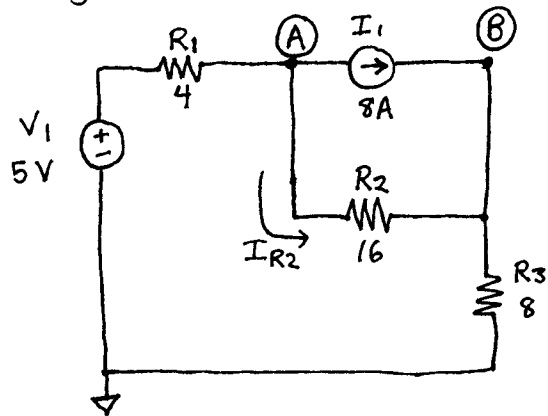


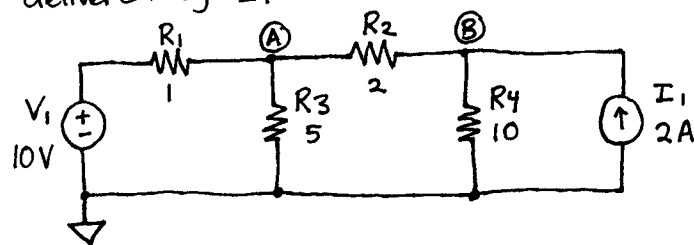
1. For the following circuit, use KCL to find

- a) V_A
- b) V_B
- c) Power delivered by V_1
- d) Power supplied by I_1
- e) I_{R2}



2. For the following circuit, use KCL to find

- a) V_A
- b) V_B
- c) Power delivered by V_1
- d) Power delivered by I_1



3. For the following circuit, find

- a) V_x
- b) V_y

