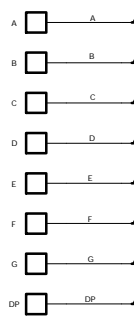
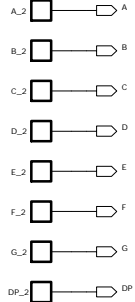
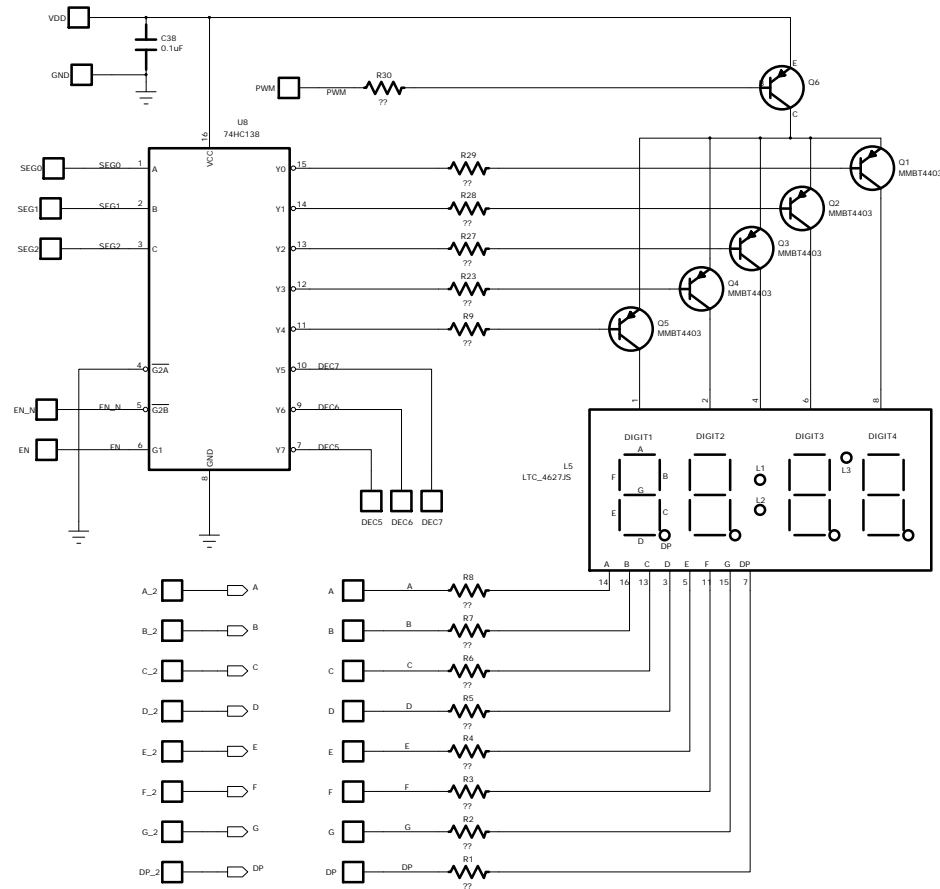


REVISION RECORD			
LTR	ECO NO:	APPROVED:	DATE:



COMPANY: <Company Name>

TITLE: <Title>

DRAWN: <Drawn By>	DATED: <Drawn Date>
CHECKED: <Checked By>	DATED: <Checked Date>
QUALITY CONTROL: <QC By>	DATED: <QC Date>
RELEASED: <Released By>	DATED: <Release Date>

CODE:	SIZE:	DRAWING NO:	REV:
<Code>	C	<Drawing Number>	<Revision>
SCALE: <Scale>			SHEET: 1 of 1