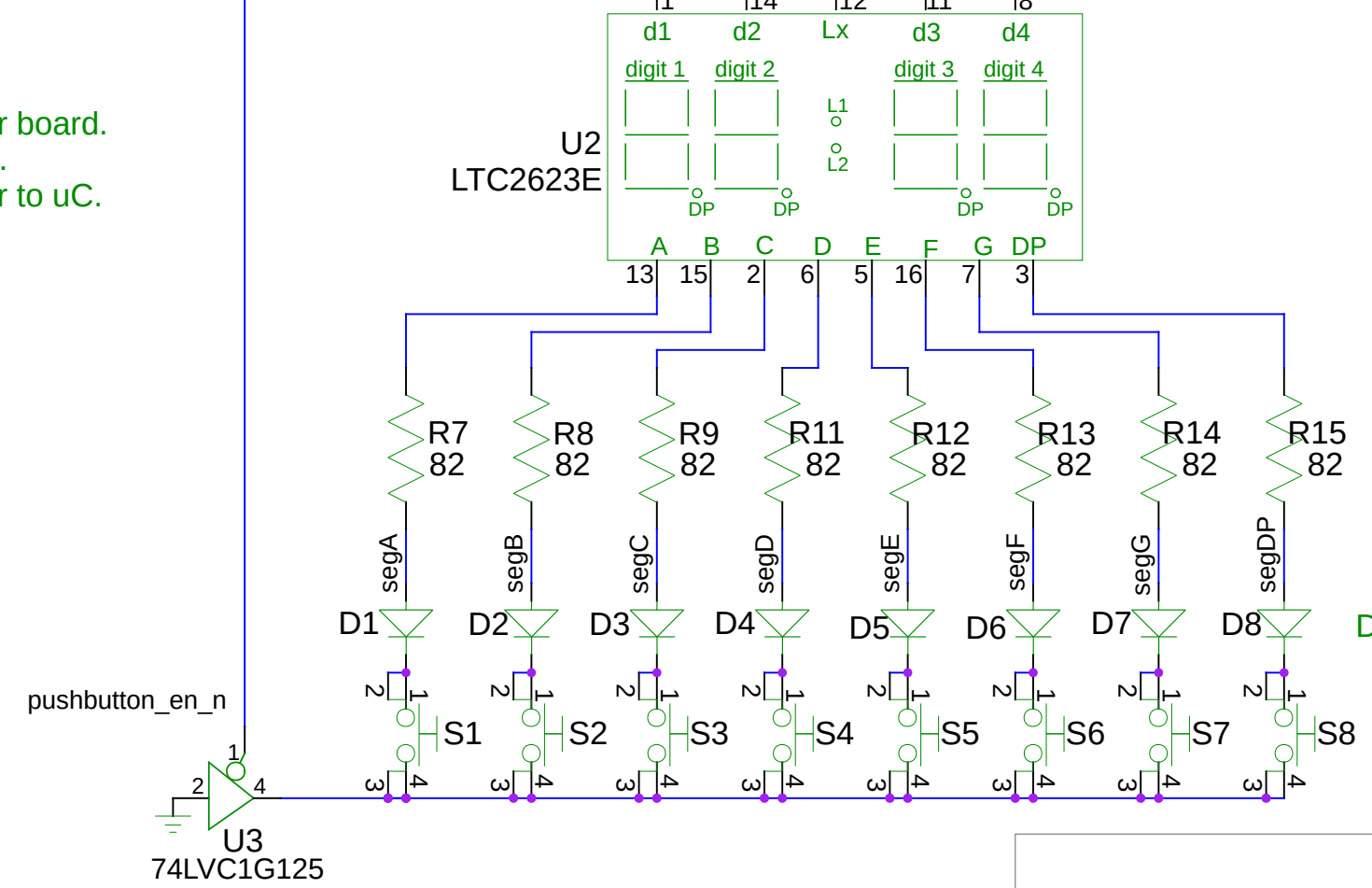
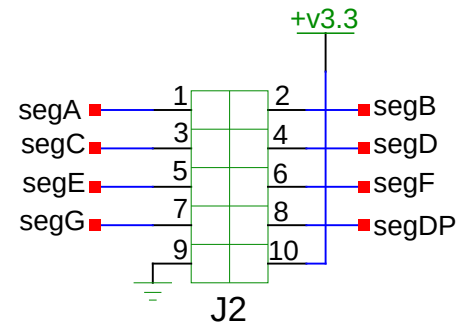


Q1-Q6 are MMBT4403

Either J1 or J2 may be used to power board.  
 TP1,TP2 are available for other uses.  
 J2 is pinned out to use 2x5 connector to uC.



D1-D8 are 1N4148