

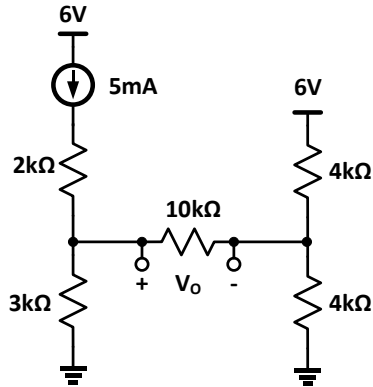
Duration: 20 minutes.

Good Luck!

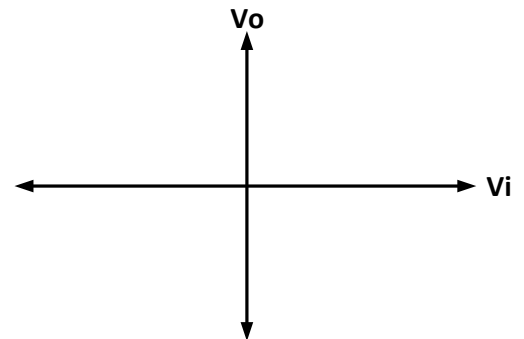
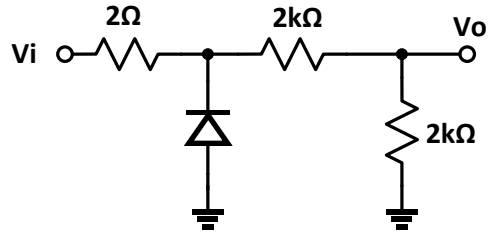
Name _____

Score _____

Q1 (10pts): Using the Thevenin's equivalent circuit, calculate the voltage across 10kΩ resistor



Q2 (10pts): Plot the input output characteristics of the following circuit. Note: in the forward bias region, the diode drop is 0.7V.



Q3 (10pts): Draw the voltage waveform at node 'Vo' for the circuit below. Assume ideal diodes.

