

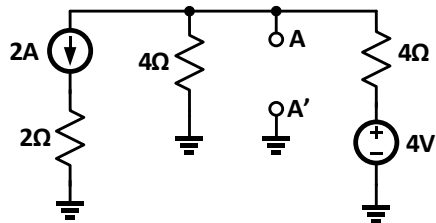
Duration: 20 minutes.

Good Luck!

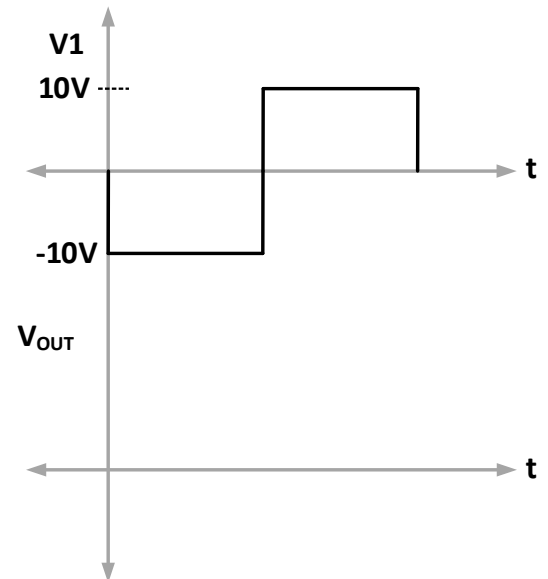
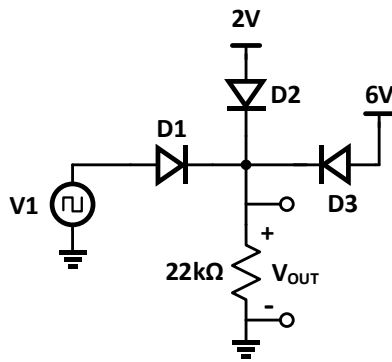
Name \_\_\_\_\_

Score \_\_\_\_\_

Q1 (10pts): Draw the Thevenin's equivalent circuit across terminal A-A'



Q2 (10pts): Assuming ideal diodes, plot the voltage  $V_{OUT}$ .



Q3 (10pts): Assuming ideal diodes, calculate current  $I_2$  in D2 and voltage at node A.

