

Duration: 20 minutes.

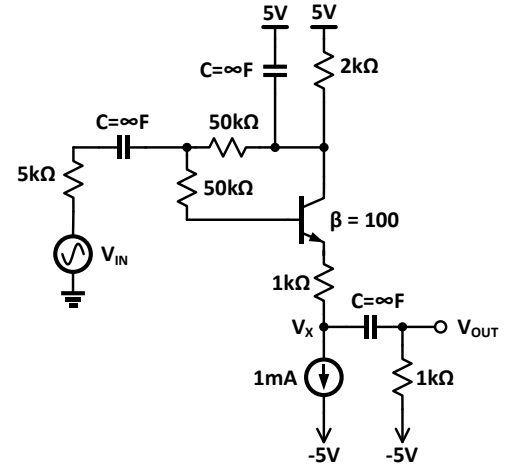
Good Luck!

Name \_\_\_\_\_

Score \_\_\_\_\_/30

Q1 (a) (10 points): For the amplifier circuit shown below, calculate the following DC operating point parameters (Assume  $|V_{BE}|$  for an ON transistor to be 0.7V):

$I_B =$  \_\_\_\_\_       $I_C =$  \_\_\_\_\_       $V_X =$  \_\_\_\_\_



(b) (10 points): Calculate the following small signal parameters (assume  $V_{th} = 25mV$ ):

$g_m =$  \_\_\_\_\_       $r_{\pi} =$  \_\_\_\_\_

(c) (10 points) Draw the small signal model of the amplifier shown above.

Q2 (Bonus 2points): Which city is hosting 2020 Olympics? \_\_\_\_\_