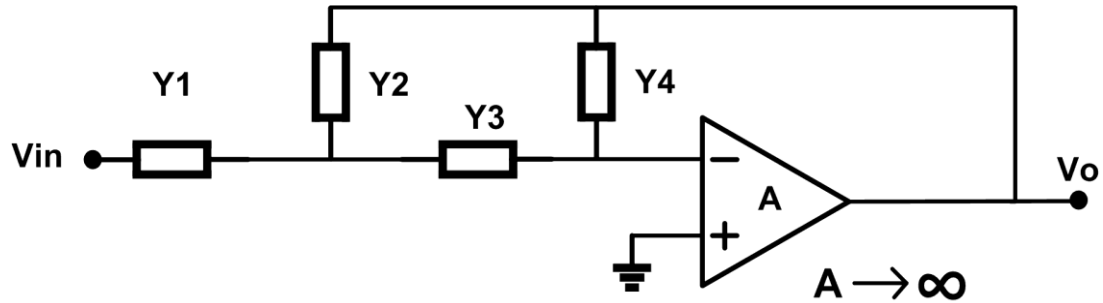


ECE580 HW-3

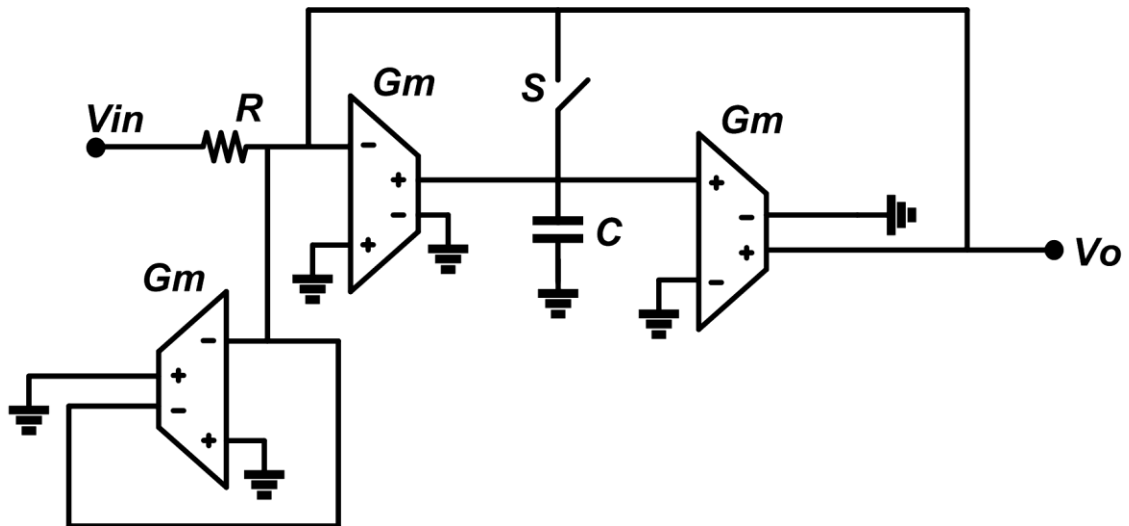
Due Nov 16, 2016 in the class

Q1:



- Calculate V_o/V_{in} .
- Choose Y_1 Y_2 Y_3 Y_4 from R and C so as to realize band pass response.
- Find Q and ω_0 of the realized filter.

Q2:



- When switch S is open:
 - Calculate V_o/V_{in} .
 - Calculate the relation between G_m and R for a stable filter.
- When switch S is closed, calculate V_o/V_{in} .