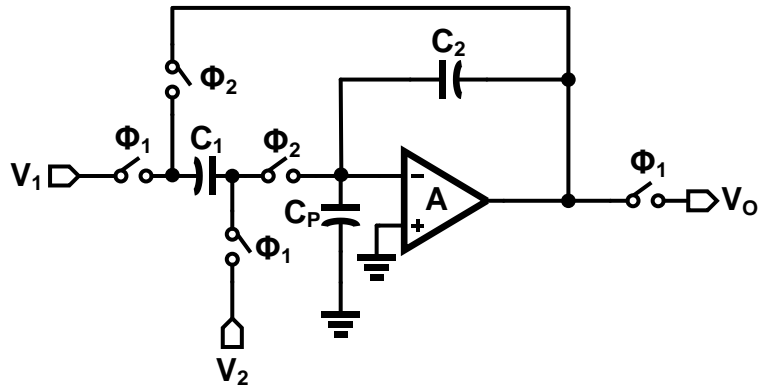


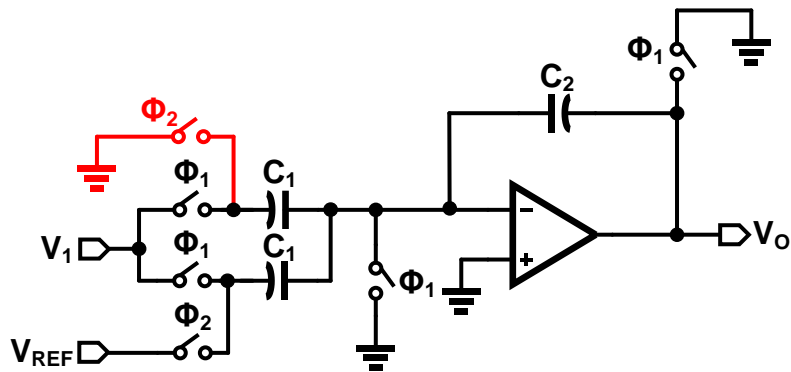
## HW-4 ECE 580

**Due Date – 28<sup>th</sup> Nov, 2016, 5:00pm, Outside my office (KEC-4113)**

- Q1. (a) For the circuit shown below, calculate  $V_o(z)$  assuming  $A = \infty$ .  
 (b) What is the relation between  $C_1$  and  $C_2$  for a stable circuit?  
 (c) For the circuit shown below, calculate  $V_o(z)$  assuming  $A \neq \infty$ .



- Q2. For the circuit shown below, calculate  $V_o$  at the end of phase  $\phi_2$ .



- Q3. For the circuit shown below, calculate  $V_o$  at the end of phase  $\phi_2$ .

