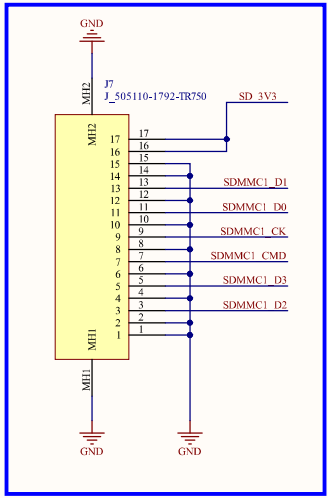
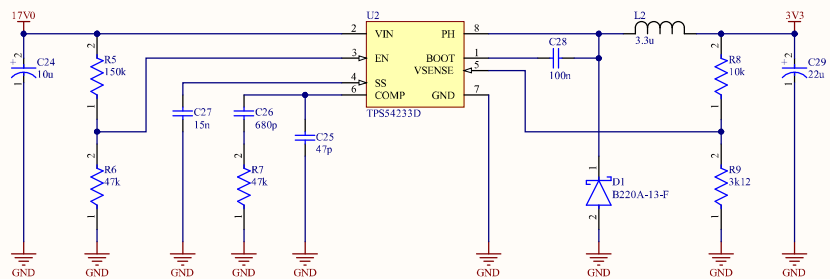


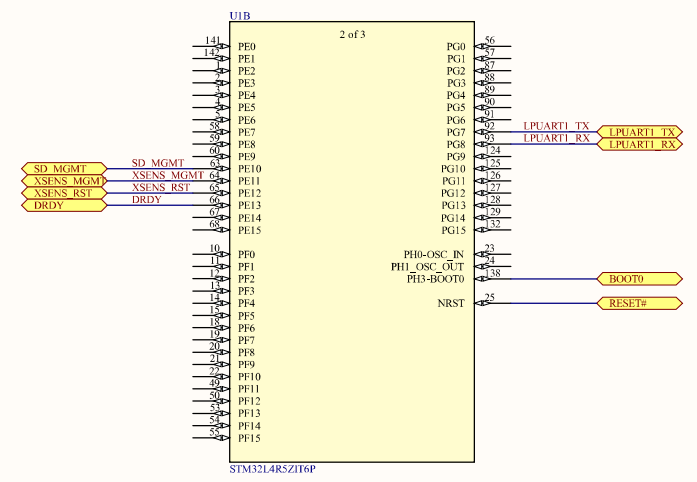
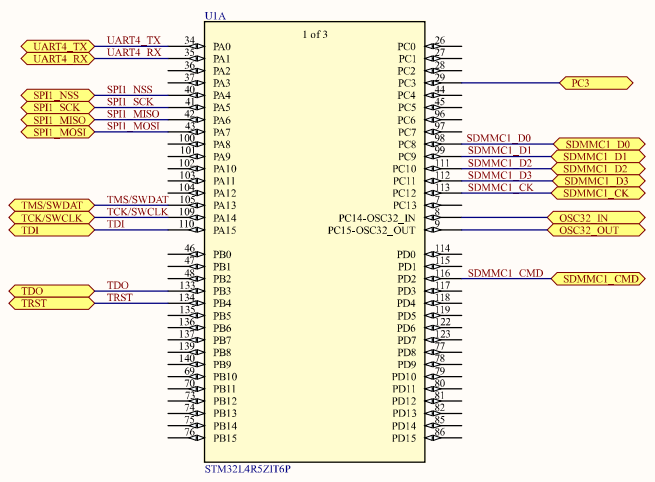
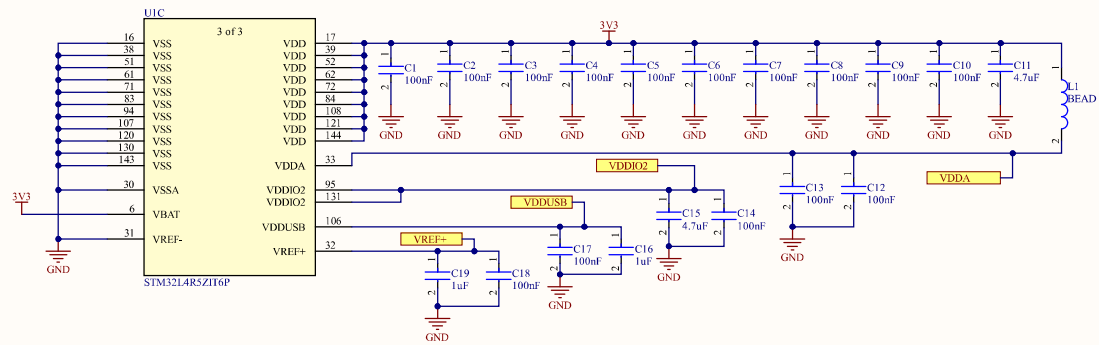
SD Card Interface



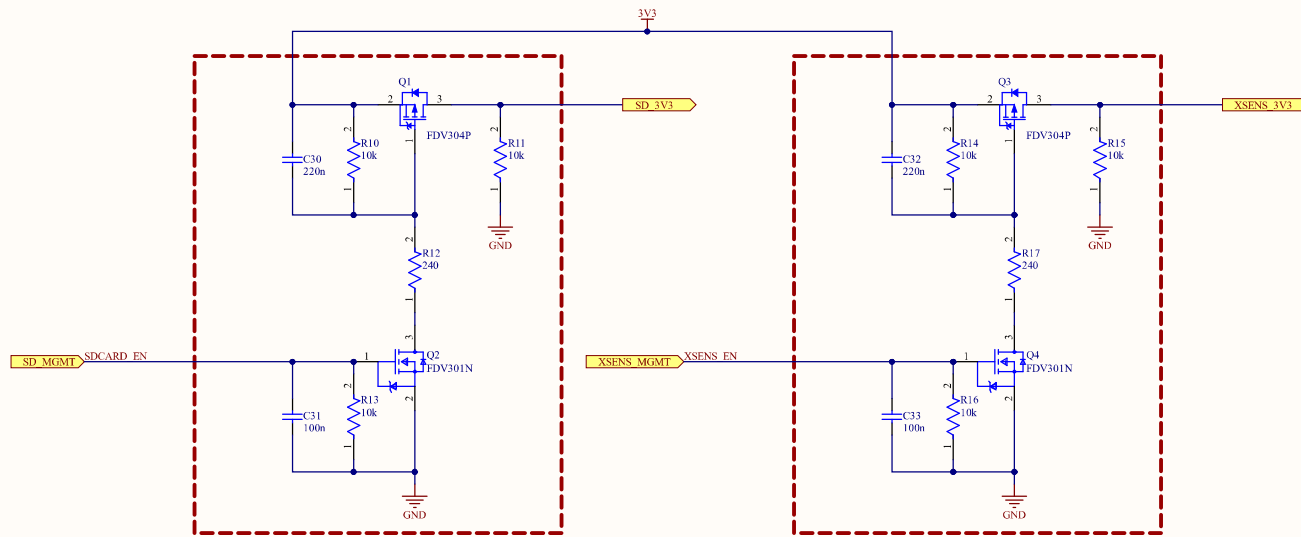
Title		
Size	Number	Revision
Tabloid		
Date:	3/04/2022	Sheet of
File:	C:\Users\Ocean\Documents\SystemSchematics\BDoc	



Title		
Size	Number	Revision
Tabloid		
Date:	3/04/2022	Sheet of
File:	C:\Users\1\BuckReg_Schem.SchDoc	Drawn By:

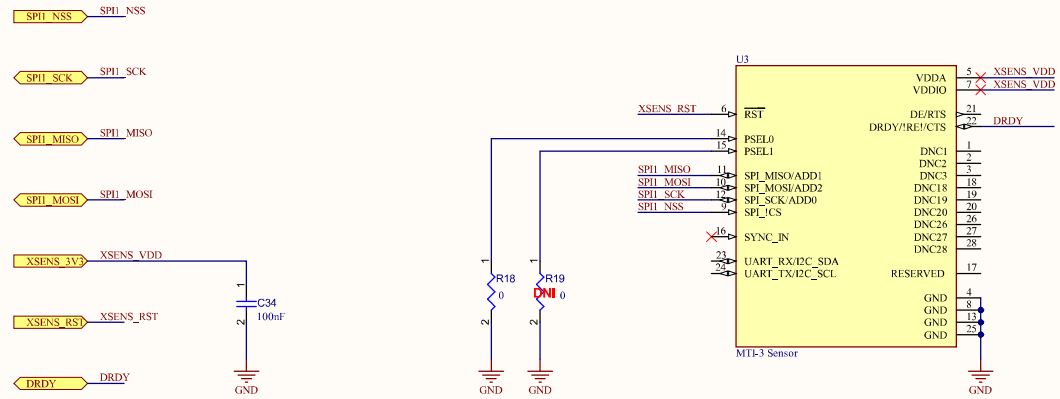


Title		
Size	Number	Revision
Tabloid		
Date:	3/04/2022	Sheet of
File:	C:\Users\MCU\Schem.SchDoc	Drawn By:



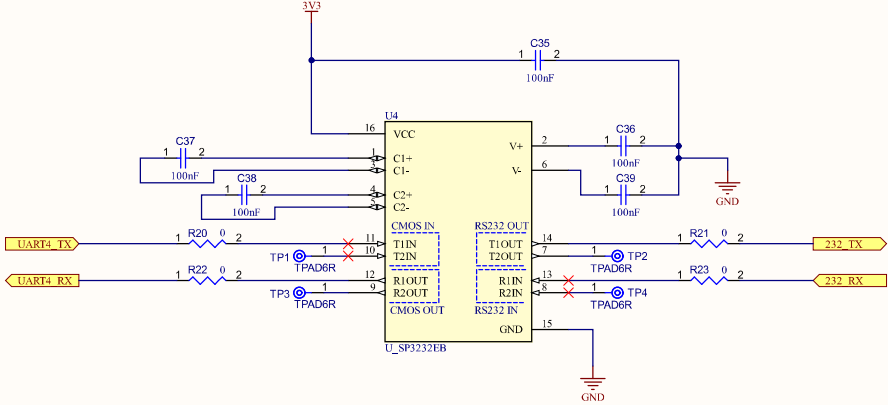
Title		
Size	Number	Revision
Tabloid		
Date:	3/04/2022	Sheet of
File:	C:\Users\PowerMGMT\SchDoc	Drawn By:

This is just for testing the pcb software, fill with your design when you here

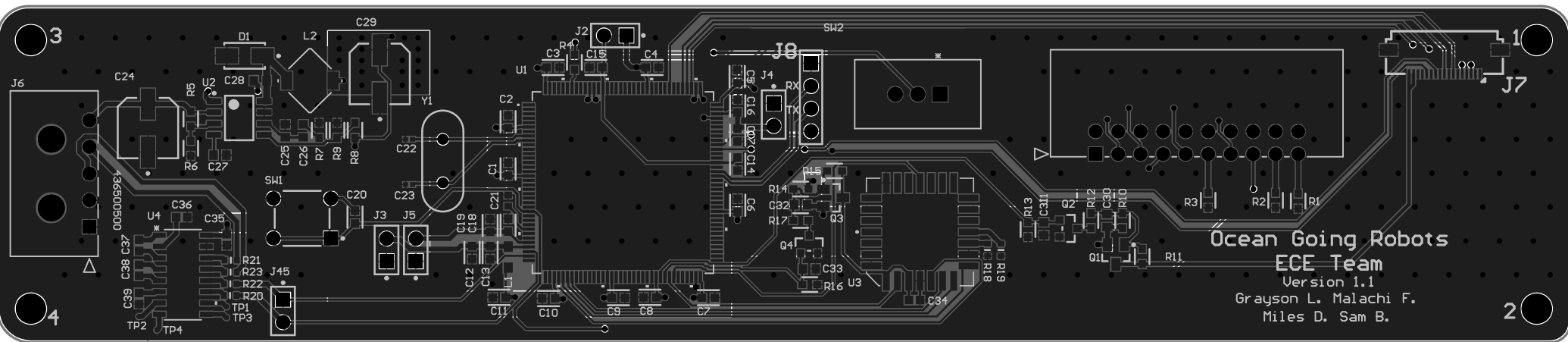


Title		
Size	Number	Revision
Tabloid		
Date:	3/04/2022	Sheet of
File:	C:\Users\XSENS_Schem\Sch\Doc	Drawn By:

CMOS to RS232 converter chip based on sparkfun MAX3232 breakout board



Title		
Size	Number	Revision
Tabloid		
Date:	3/04/2022	Sheet of
File:	C:\Users\...RS232 UART Shifter.SchDoc	Drawn By:



Ocean Going Robots
ECE Team
Version 1.1
Grayson L. Malachi F.
Miles D. Sam B.

3

4

1

2