

Fig 1

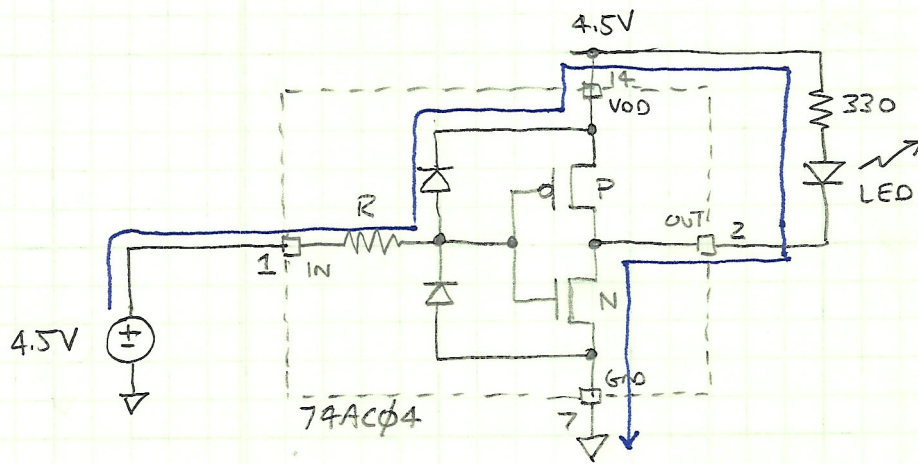


Fig 2,