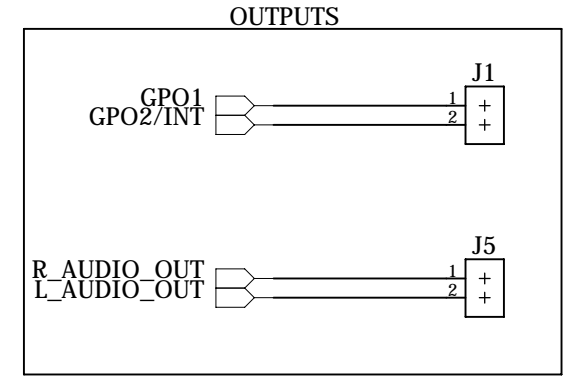
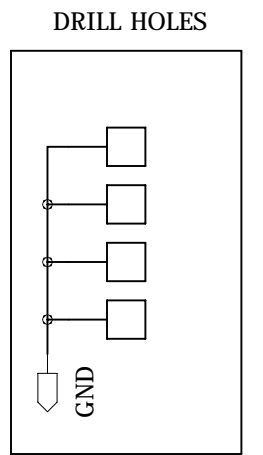
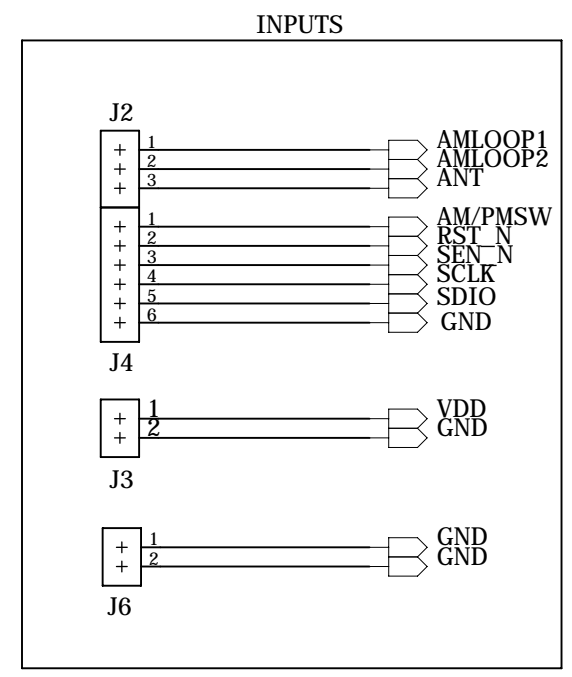
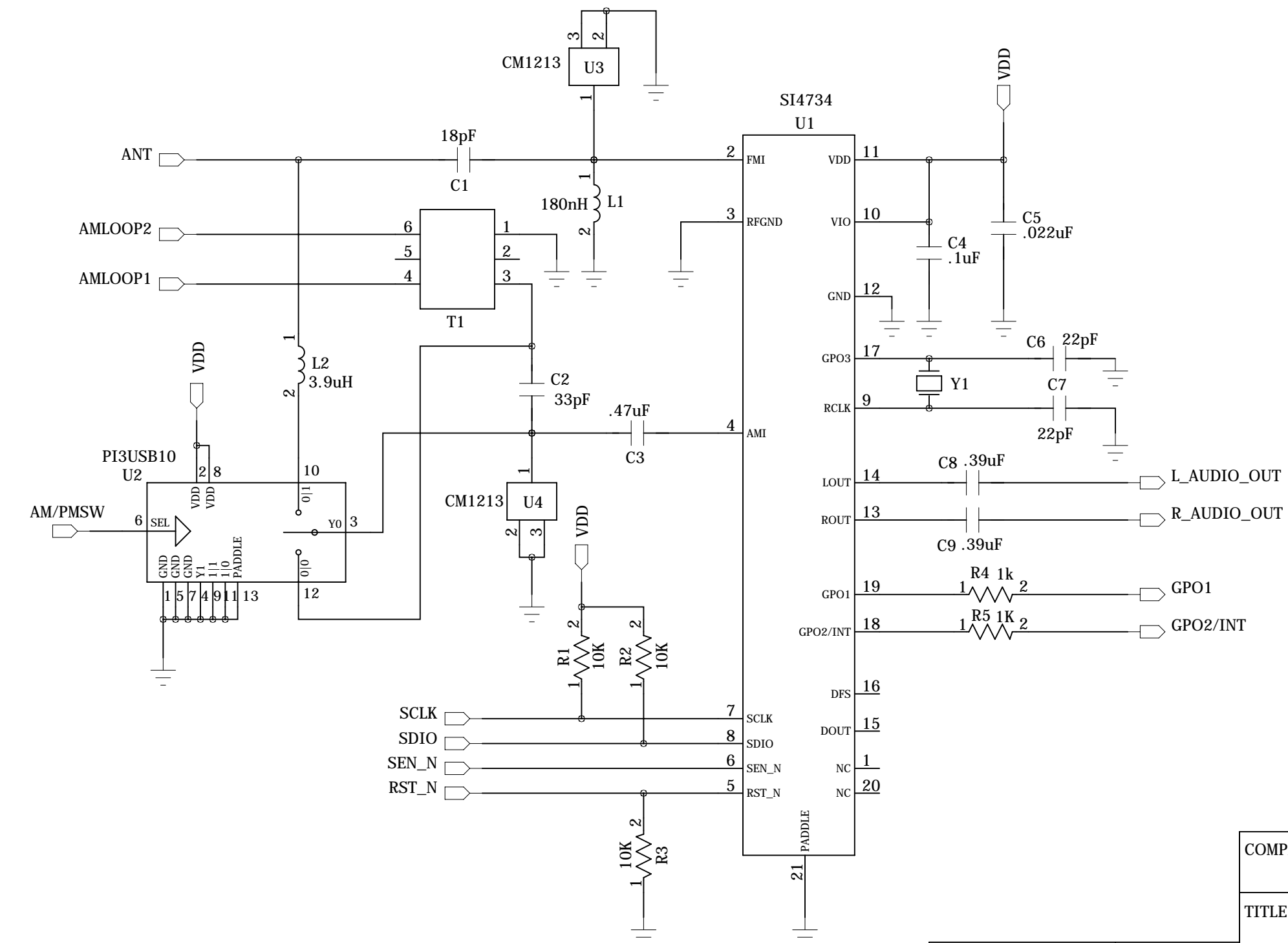


6 5 4 3 2 1

REVISION RECORD			
LTR	ECO NO:	APPROVED:	DATE:

D  
C  
B  
A

D  
C  
B  
A



COMPANY: **TEKBOTS**

TITLE: **RADIO BOARD**

DRAWN: BRANDON FRY	DATED: 6/20/2011
CHECKED: <Checked By>	DATED: <Checked Date>
QUALITY CONTROL: <QC By>	DATED: <QC Date>
RELEASED: <Released By>	DATED: <Release Date>

CODE:	SIZE:	DRAWING NO:	REV:
<Code>	B	<Drawing Number>	<Revision>
SCALE:<Scale>			SHEET:1 OF 1