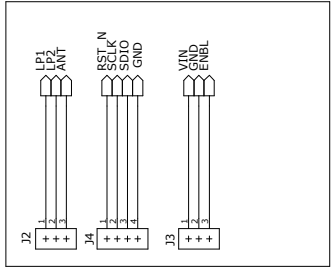
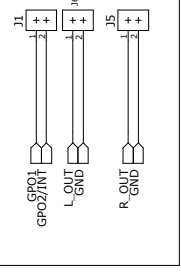


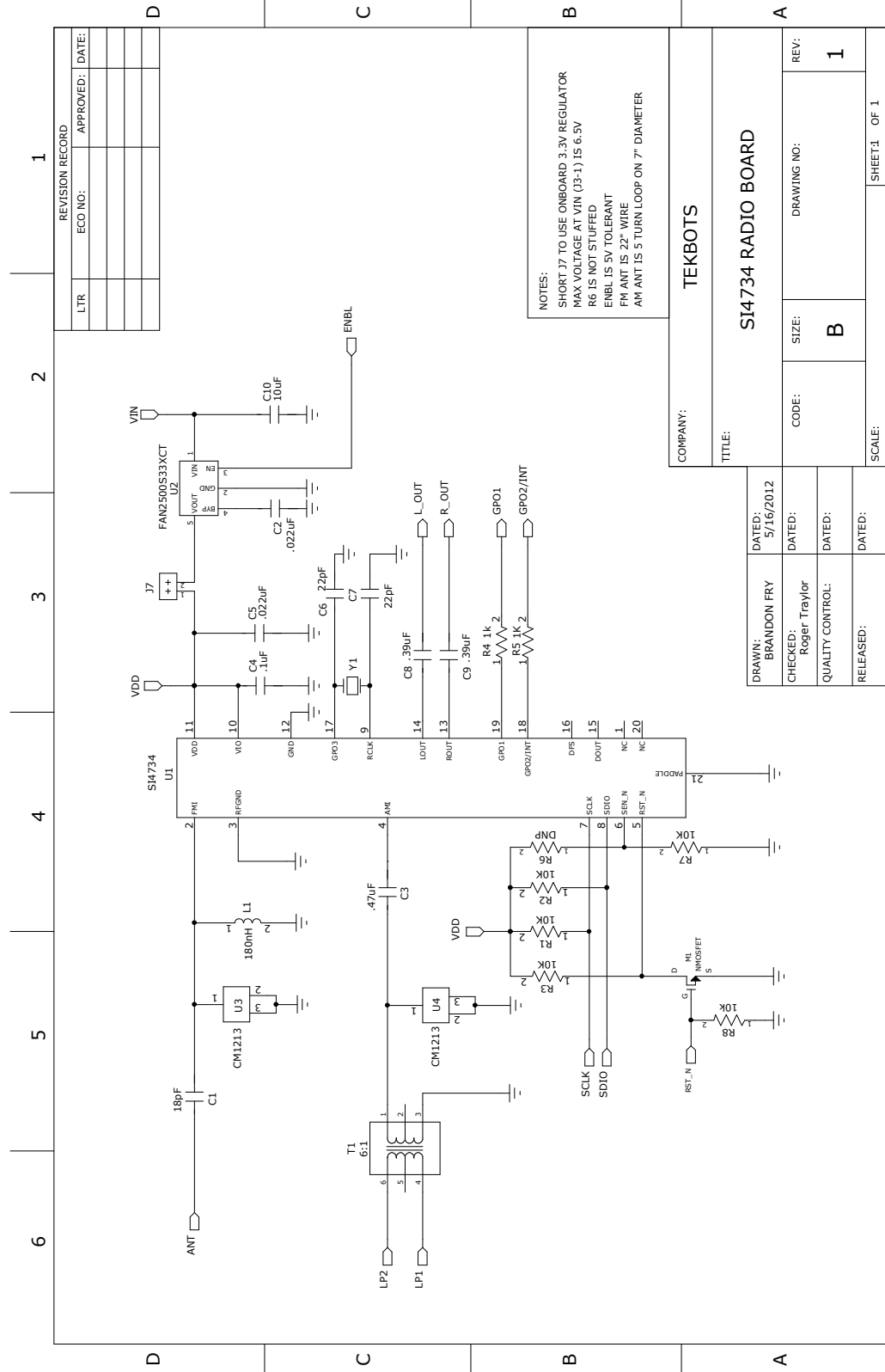
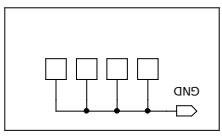
INPUTS



OUTPUTS



DRILL HOLES



REVISION RECORD	
LTR	DATE
ECO NO.	APPROVED

NOTES:
 SHORT J7 TO USE ONBOARD 3.3V REGULATOR
 MAX VOLTAGE AT VIN (I3-1) IS 6.5V
 R6 IS NOT STUFFED
 ENBL IS 5V TOLERANT
 FM ANT IS 22" WIRE
 AM ANT IS 5 TURN LOOP ON 7" DIAMETER

COMPANY: TEKBOTS	
TITLE: SI4734 RADIO BOARD	
DRAWN: BRANDON FRY	DATED: 5/16/2012
CHECKED: Roger Taylor	DATED:
QUALITY CONTROL:	DATED:
RELEASED:	DATED:
CODE: B	DRAWING NO:
SIZE: B	REV: 1
SCALE:	SHEET: OF 1