

6

5

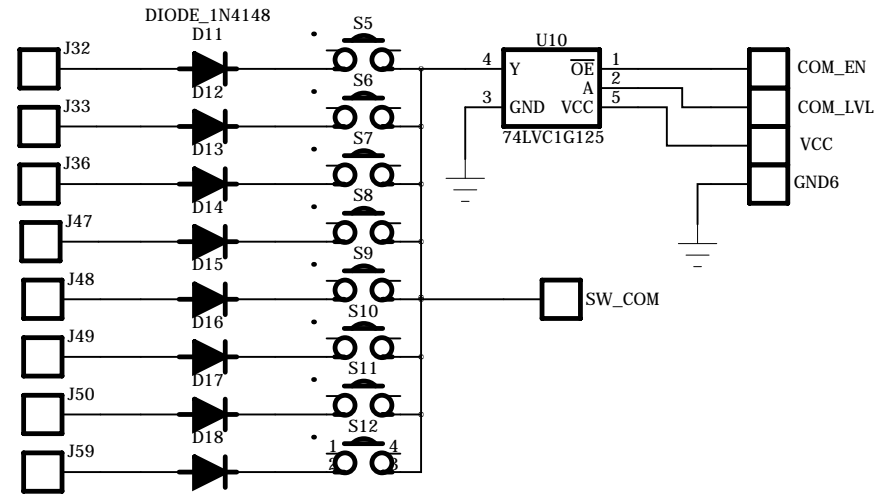
4

3

2

1

| REVISION RECORD | | | |
|-----------------|---------|-----------|-------|
| LTR | ECO NO: | APPROVED: | DATE: |
| | | | |
| | | | |
| | | | |
| | | | |



COMPANY: <Company Name>

TITLE: <Title>

| | |
|-----------------------------|--------------------------|
| DRAWN: <Drawn By> | DATED: <Drawn Date> |
| CHECKED: <Checked By> | DATED: <Checked Date> |
| QUALITY CONTROL: <QC By> | DATED: <QC Date> |
| RELEASED: <Released By> | DATED: <Release Date> |

| | | | |
|--------|-------|------------------|------------|
| CODE: | SIZE: | DRAWING NO: | REV: |
| <Code> | B | <Drawing Number> | <Revision> |

SCALE: <Scale> SHEET: 1 of 1

D

C

B

A

D

C

B

A